



GOVERNMENT OF INDIA

INDIA METEOROLOGICAL DEPARTMENT

OFFICE OF THE
DEPUTY DIRECTOR GENERAL OF METEOROLOGY
(SURFACE INSTRUMENTS)

Meteorological Office, Pune – 411 005

Phone No. 020-25535211Ext 411

Fax No. 020- 25521529

Website : www.imdpune.gov.in

File No. : I/PUD-2141/10-11/

Date : 6th July 2010

To M/s

Sir,

Kindly quote for the following stores or their equivalent. Your quotation has to clearly mention following details: (i) Full specifications; make of the item (ii) Delivery period (iii) Terms of delivery (iv) Whether rates quoted include Packing and Forwarding charges, Sales tax, Excise, etc. If not, these are to be shown separately alongwith the rates (No extra charges will be paid/entertained after opening the bids.) (v) Period of validity of offer (vi) Terms of payment. The quotation should reach this office before 1430 hrs of 21st July 2010 in a sealed cover addressed to **“The Dy. Director General of Meteorology (Surface Instruments), Meteorological Office, Pune-411 005.”** **The quotations will be opened at 1430 hrs on the due date.** The quoters may be present at the time of opening of the quotation, if they desire so.

S.No.	Description of stores	Quantity
1.	10 K Servo pot (Precision Potentiometer) ECIL make, 1% tolerance, Linearity – 0.5%, Single turn.	100 nos

Note:

- 1) The sealed cover containing quotation should be super scribed in block letters **“QUOTATION FOR ENQUIRY NO. I/PUD-2141/10-11/ DATED 6th July 2010 AND DATE OF OPENING is 21st July 2010”**
- 2) The right to ignore quotations which fail to comply with the above instructions is reserved.
- 3) The parties bringing quotations personally may drop the same in the **“QUOTATION BOX”** kept in Admin. Section of this office.
- 4) The firm should clearly mention Make and Model of the item being offered, wherever applicable.

Yours faithfully,

(R.R. Joshi)
Assistant Meteorologist Gr.I
for Dy. Director General of Meteorology
(Surface Instruments)

Specification for ECIL make 10 K servo potentiometer

Value : 0 – 10K Ohms, Single turn

Value Tolerance: $\pm 1\%$

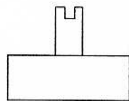
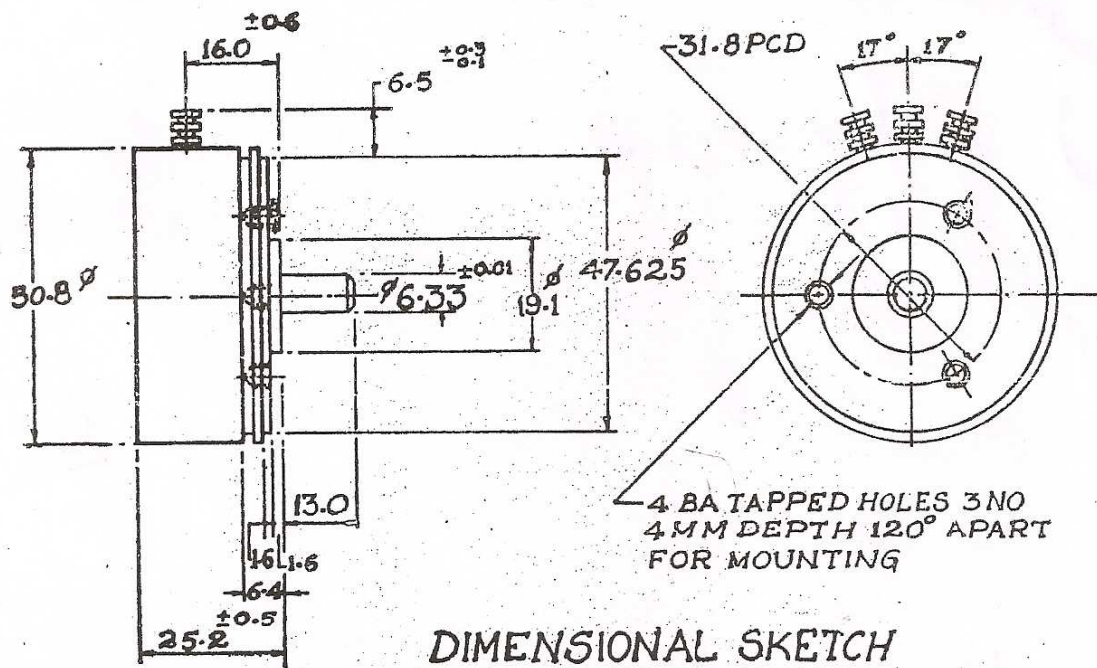
Linearity: $\pm 0.5\%$

Power Rating: 3.5 Watts

Mechanical Angle: 360° continuous

Accuracy: $\pm 0.5\%$

Dimensions as per following sketch (All dimensions are in mm):



Should be a **Notch of 1 mm** depth at the center of shaft
As shown in adjacent diagram.

Handwritten signature
30/06/10

*** The firm shall give separate Technical & Financial Bid.**